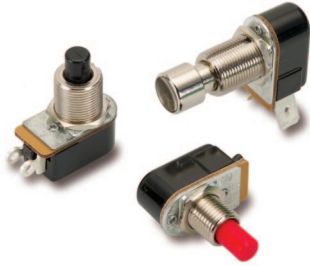


P26-Series Pushbutton Switches



The P26-Series pushbutton switches are single pole, AC rated for 8 amps at 125 VAC and suitable for shallow back panel applications. These switches are momentary action with a medium actuation force (13 oz. typical). The P26-Series switch is equipped with a slow-make, slow-break contact mechanism. Typical applications include usage for an Alarm or Warning Device, as well as Test and Measurement Equipment.

Dielectric Strength

UL/CSA: 1000V - live to dead metal parts

Electrical Life

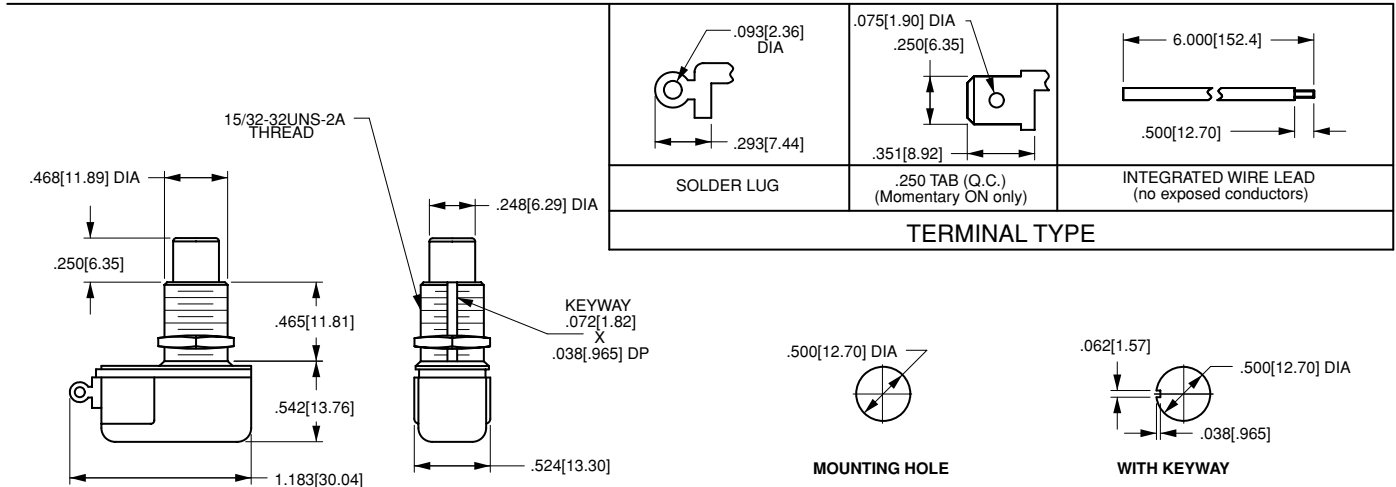
25,000 cycles

Mechanical Life

100,000 cycles

Operating Temperature

32°F to 85°F (0°C to +85°C)



P26L - 1D - BL

1 Base Part Number

2 Bushing Style

3 Button Style/Color

1 BASE PART NUMBER: SERIES/POLES/CIRCUITRY/RATING ¹ /TERMINATION				2 BUSHING STYLE		3 BUTTON STYLE/COLOR
Single Pole	solder lug	.250 tab	wire leads	length	diameter	
3A 250VAC, 6A 125 VAC, 3/4A 125V	P26A	P26B	P26F	1A .406	.375	BL black nylon RD red nylon RND MTL ² round metal CON MTL ² concave metal
OFF - (ON)	P26L	-	P26T	1B .406	.468	
ON - (OFF)				1C .465	.375	
3A 277VAC, 6A 125 VAC	P267A	P267B	P267F	1D .465	.468	
OFF - (ON)	P267L	-	P267T			
ON - (OFF)						

NOTES

¹ Only available with 1D bushing in .502 length.

() Indicates momentary function.